

ROBERT D. CLARY P.E. P.C.
 825 GOLDEN HILL
 CHEYENNE, WYOMING 82009
 1-307-637-3273
 FAX 1-307-634-6067

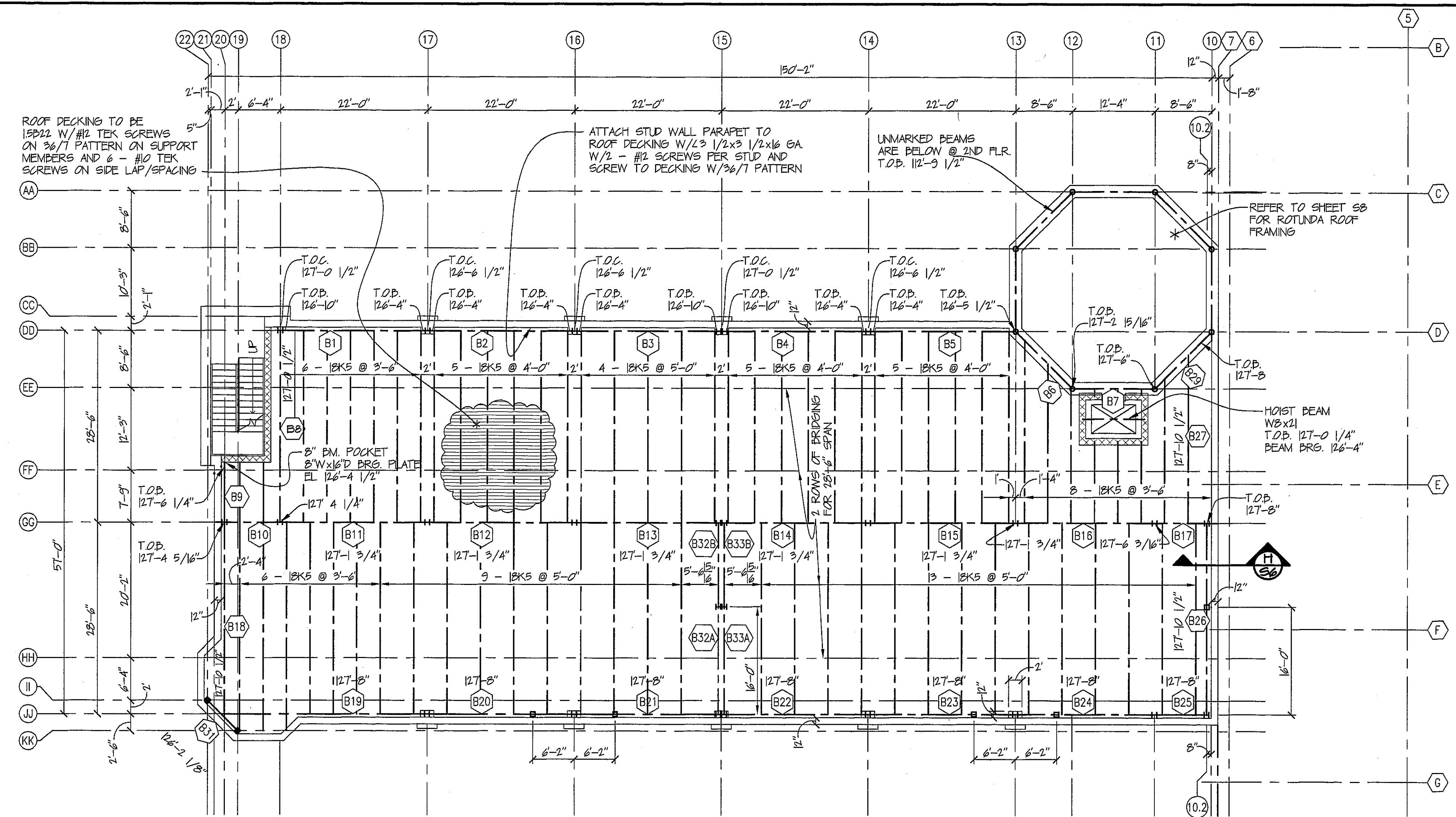
HISTORIC DINNEEN BUILDING
 CHEYENNE, WYOMING
 400 W 16TH ST.

ROOF FRAMING PLAN
 DETAILS & ELEVATION

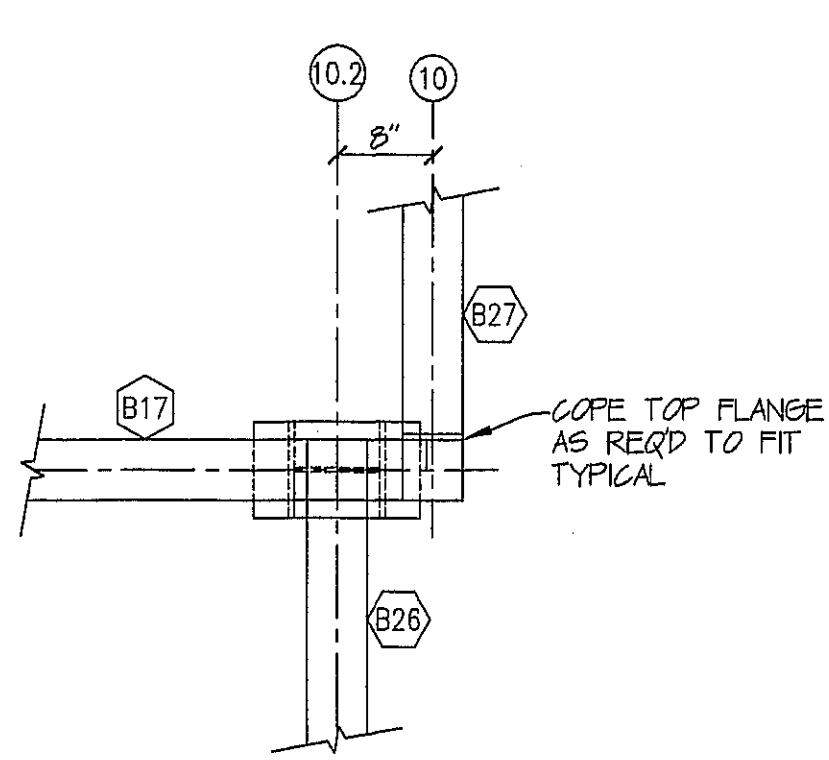
210042

4-26-11

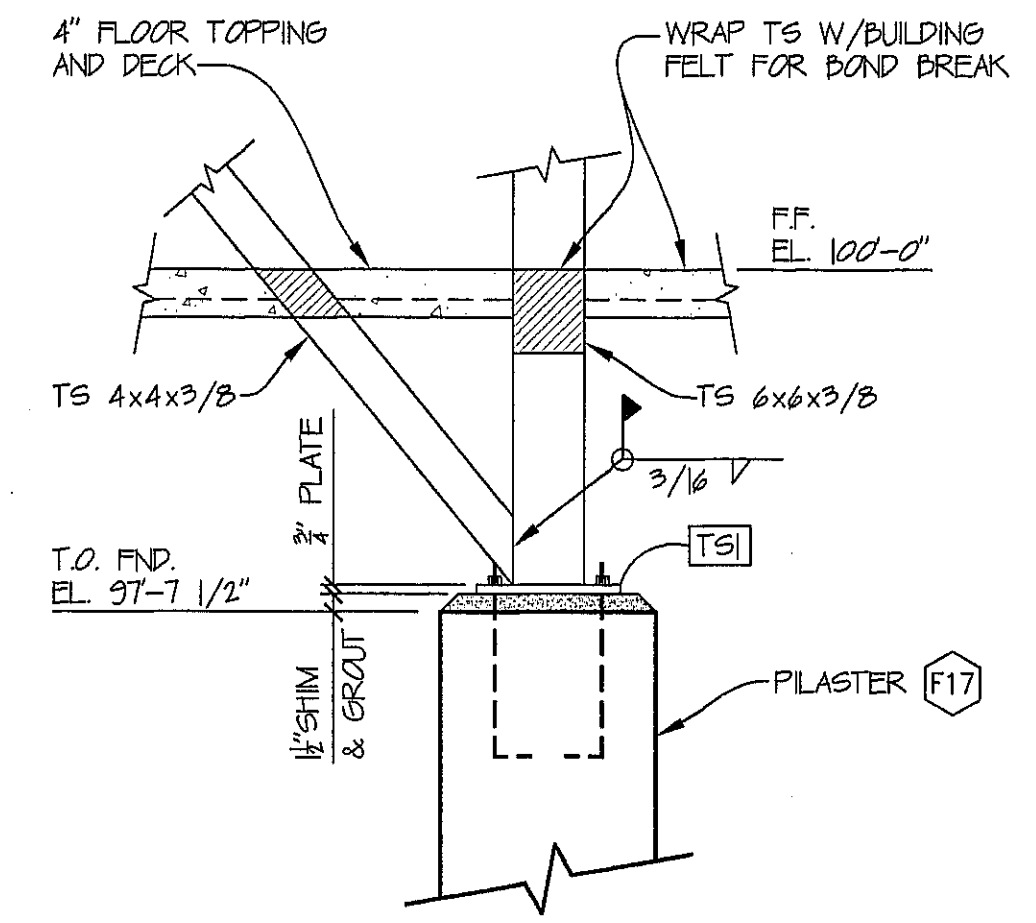
S6



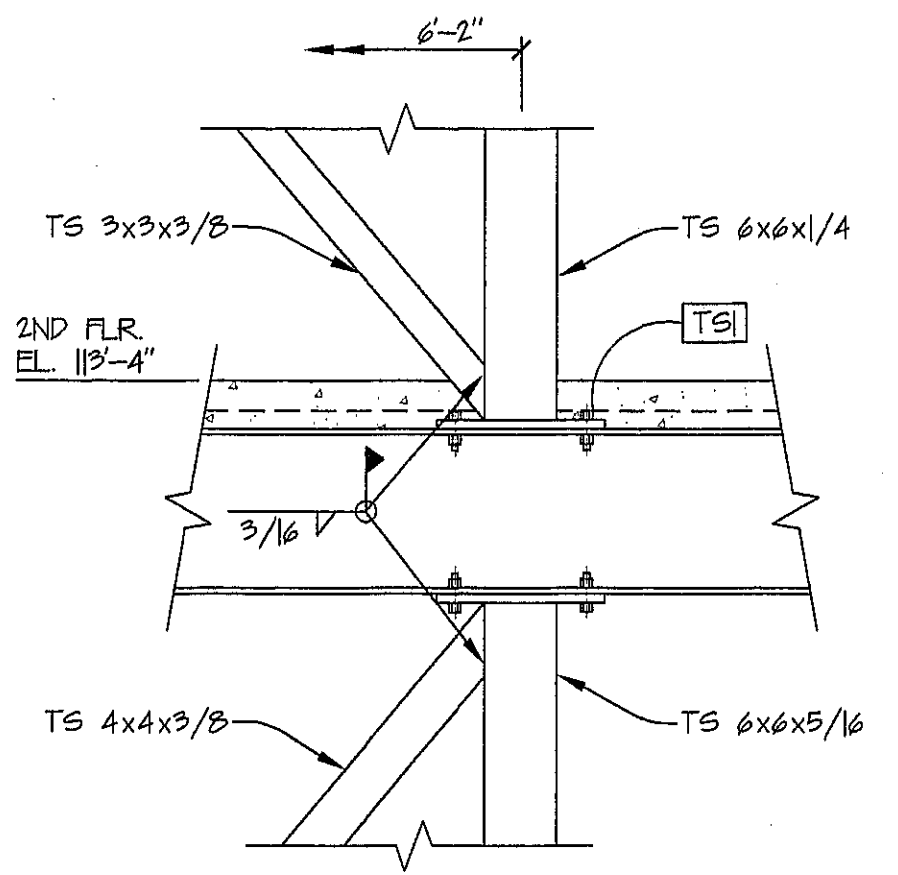
ROOF FRAMING PLAN
 3/32" = 1'-0"



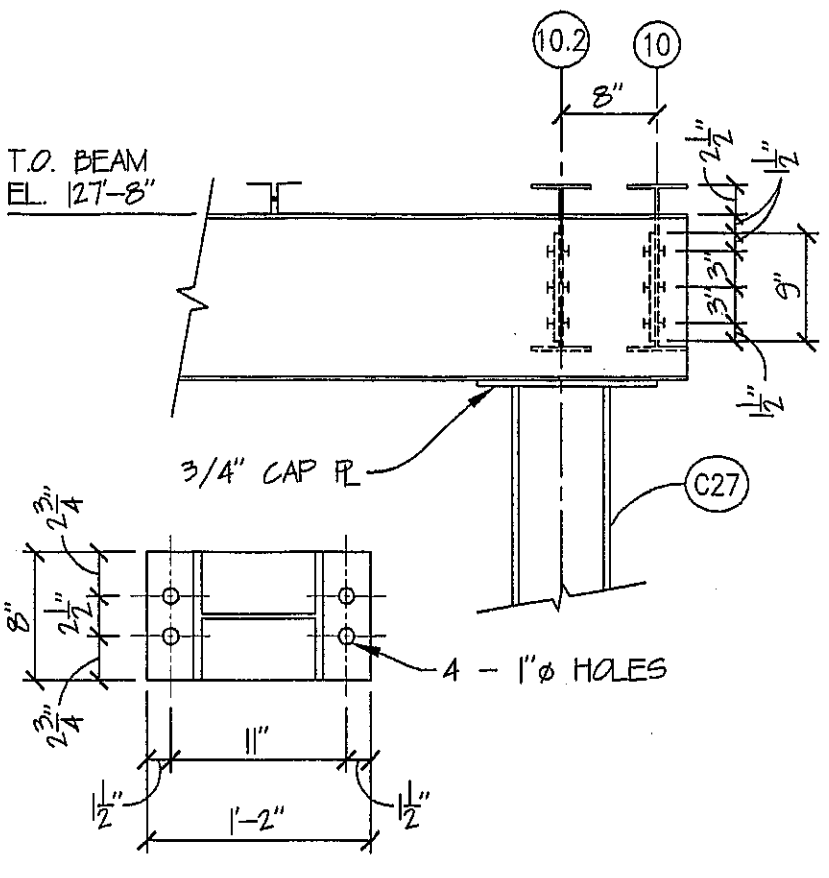
TOP VIEW
 3/4" = 1'-0"



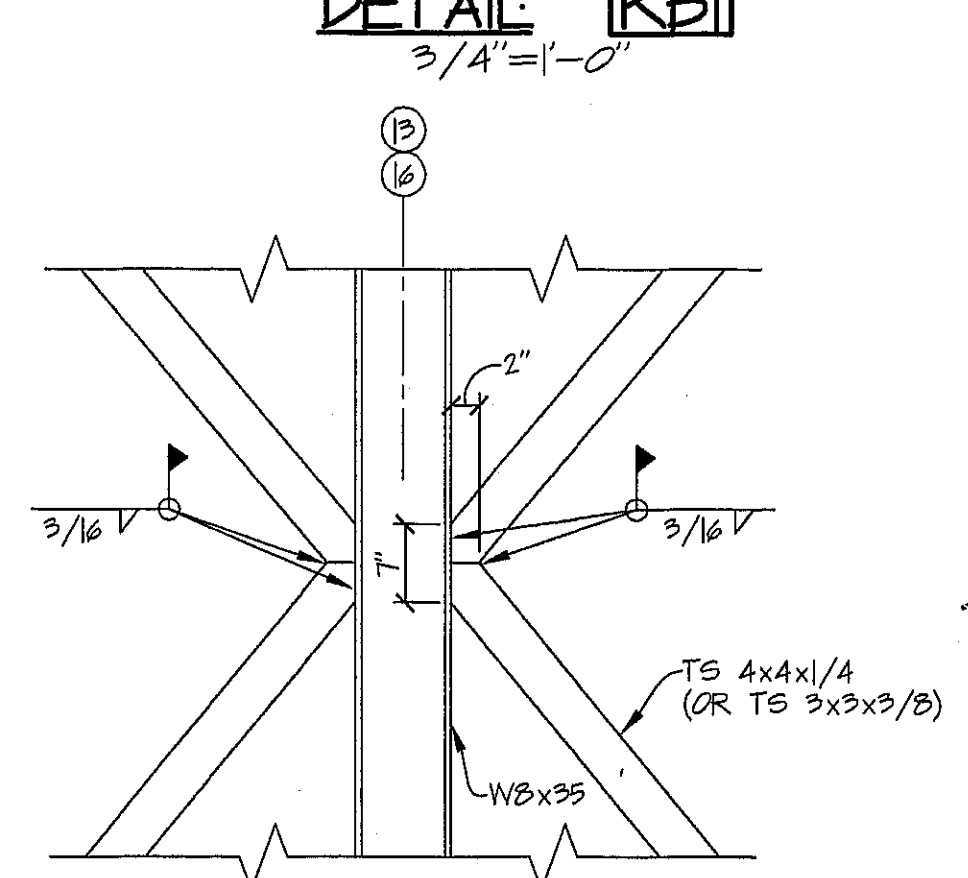
DETAIL KB1
 3/4" = 1'-0"



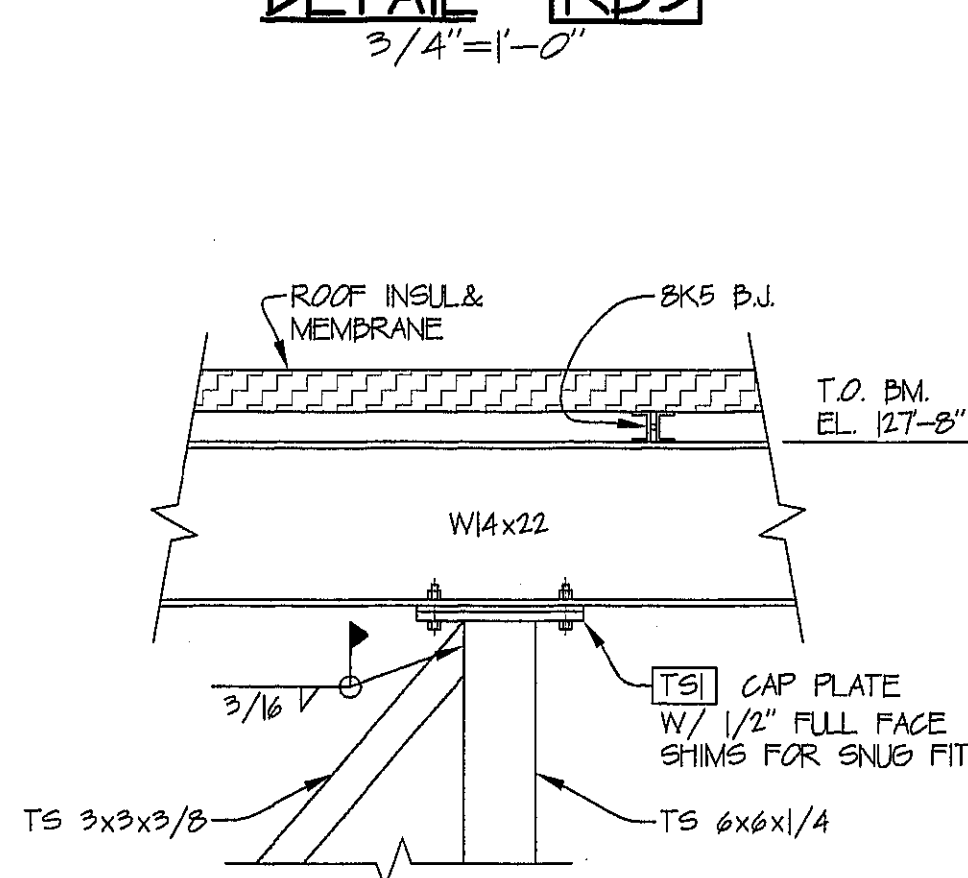
DETAIL KB3
 3/4" = 1'-0"



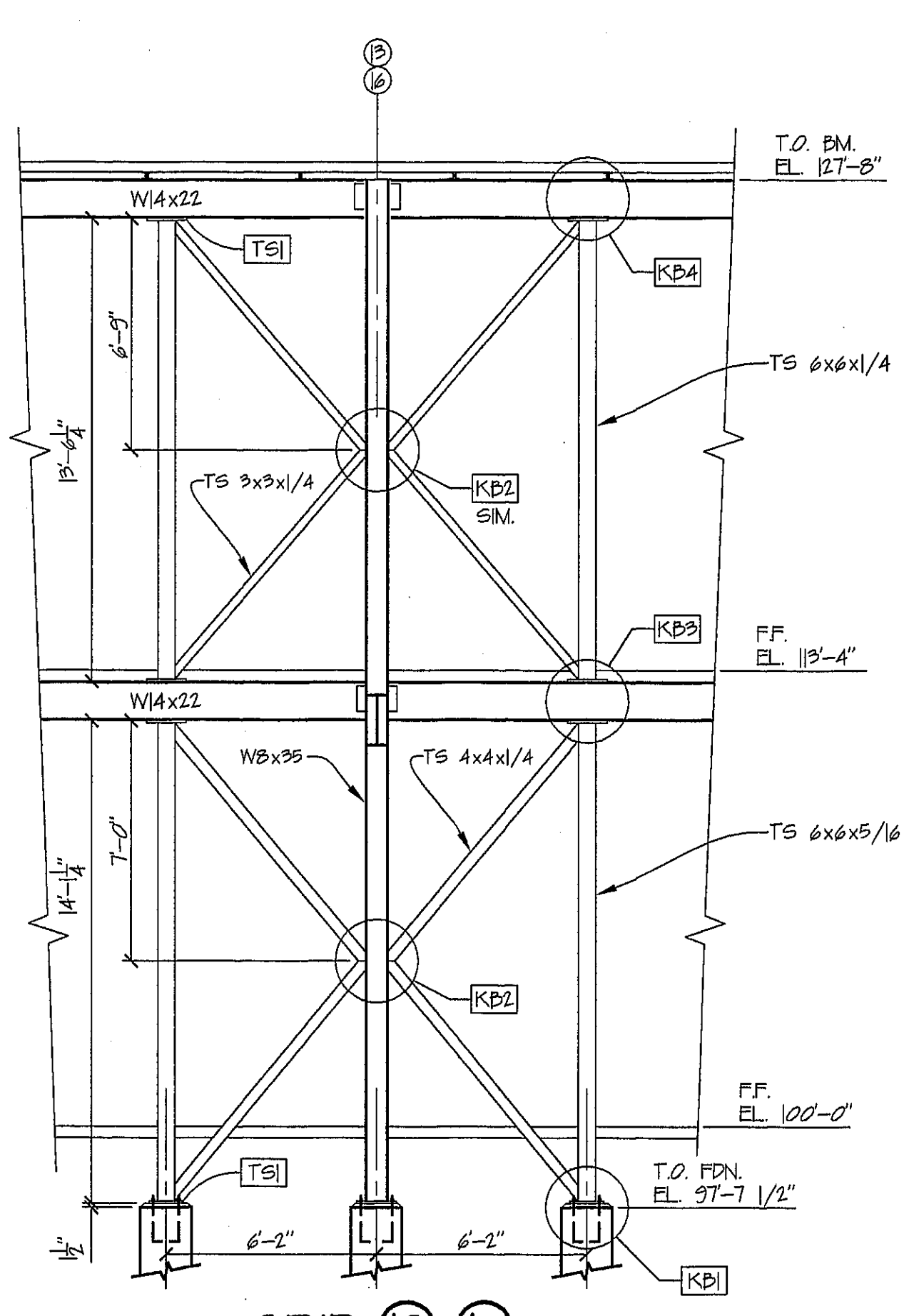
SECTION
 3/4" = 1'-0"



DETAIL KB2
 3/4" = 1'-0"



DETAIL KB4
 3/4" = 1'-0"



**GRID 13 @ 16
 K BRACES #1 & #2**
 1/4" = 1'-0"

APR 27 2011