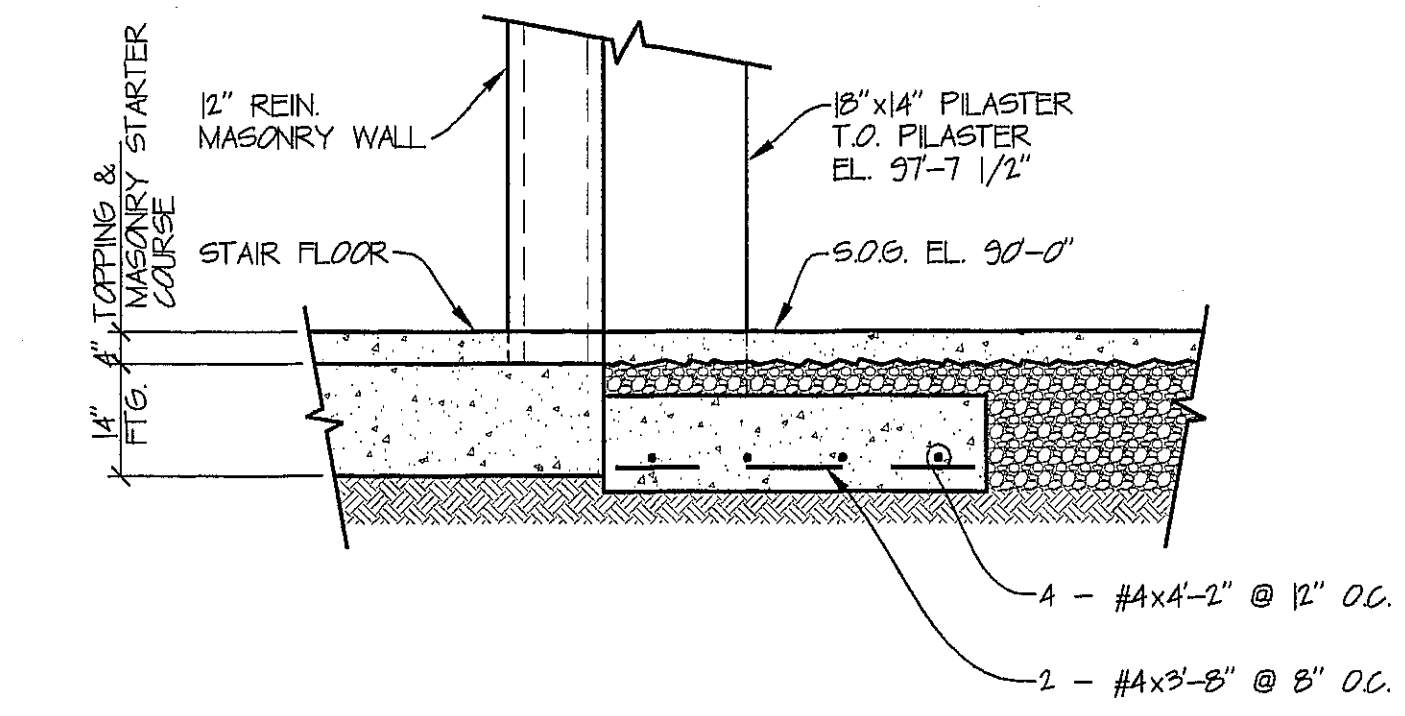
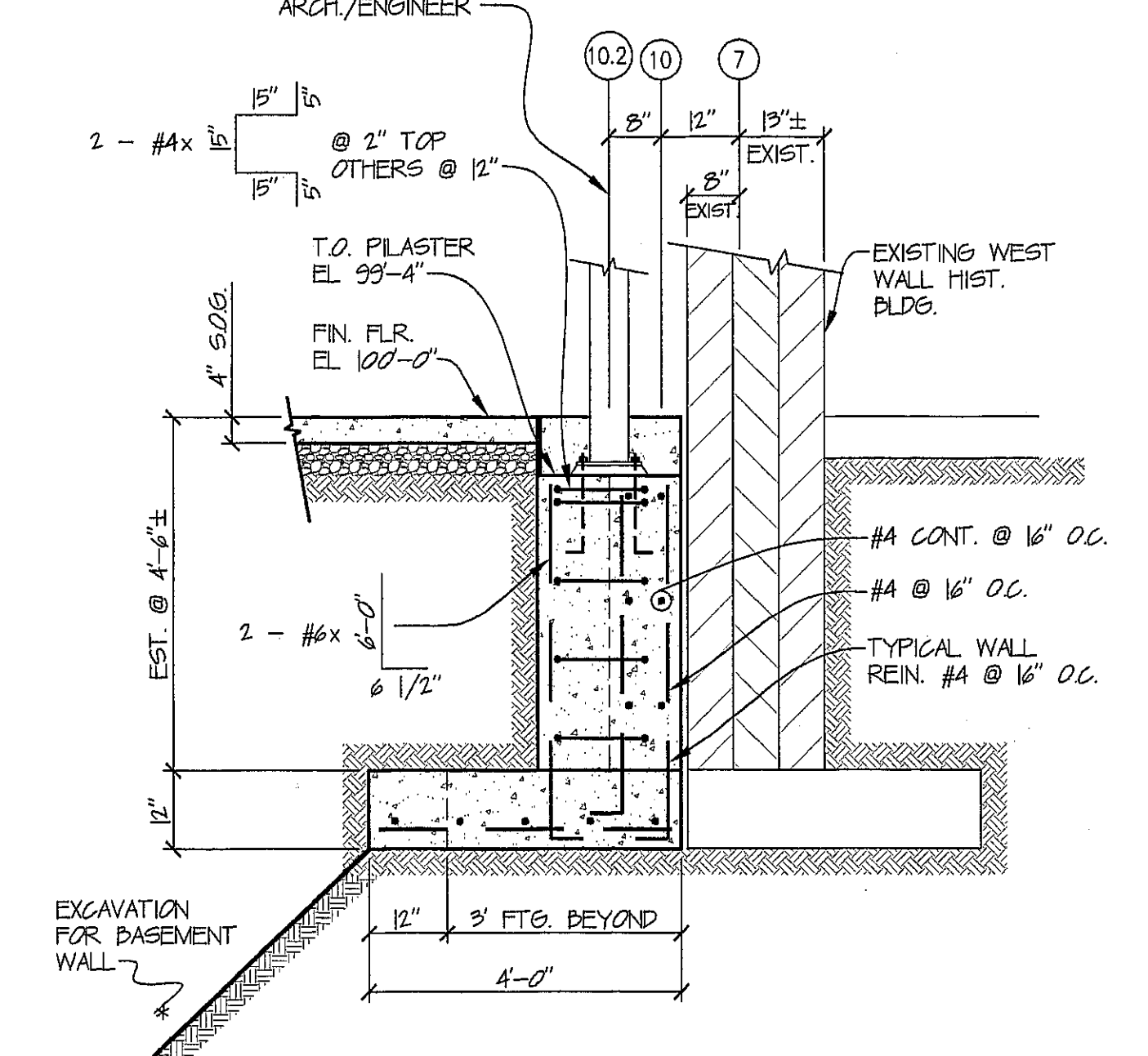


FIG. F4
1/2"=1'-0"

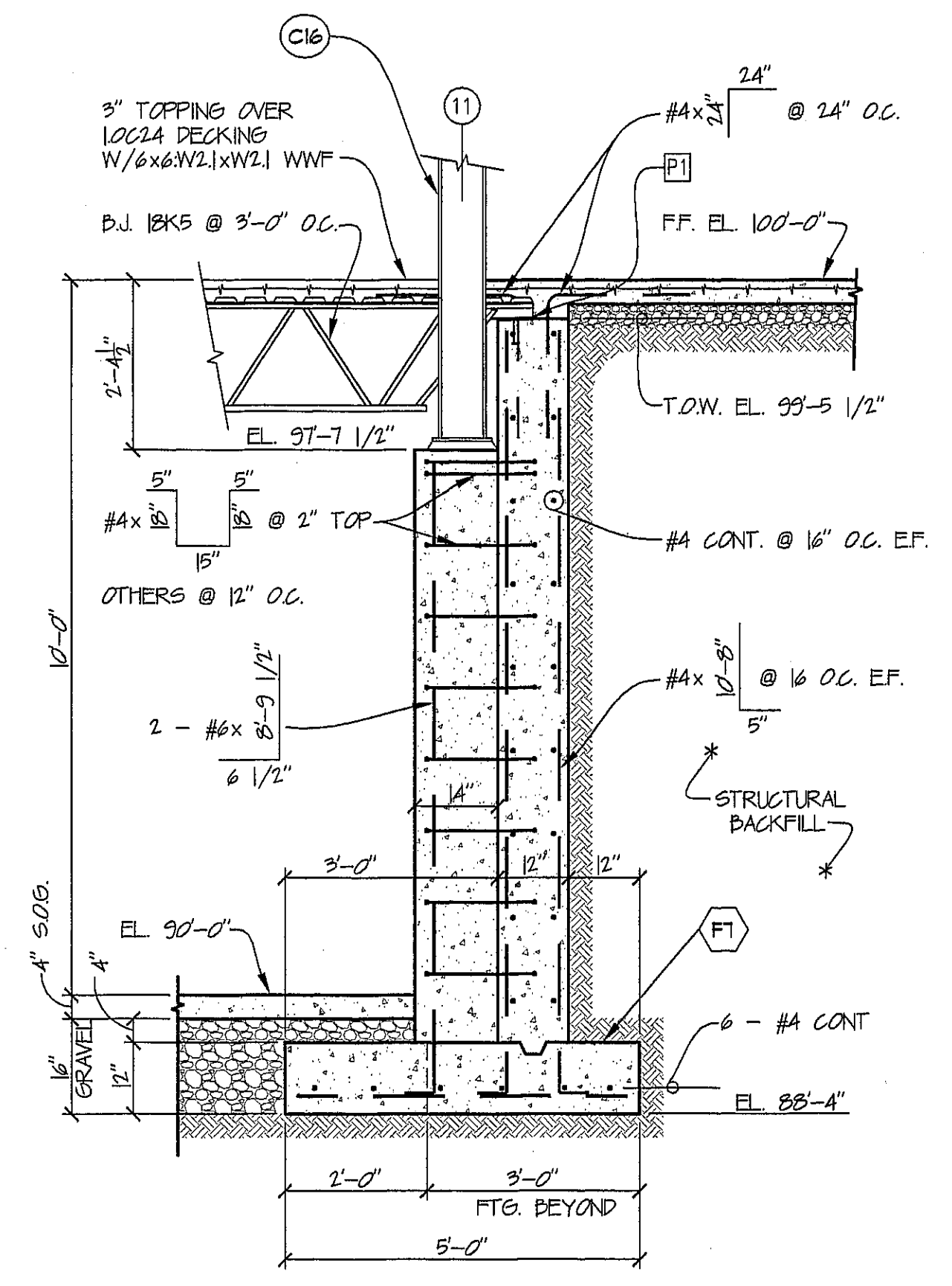


SECTION F4
1/2"=1'-0"

NOTE: POSITION WALL AS PER FIELD CONDITIONS - SEE ARCH./ENGINEER



SECTION F15
1/2"=1'-0"



SECTION F7
1/2"=1'-0"

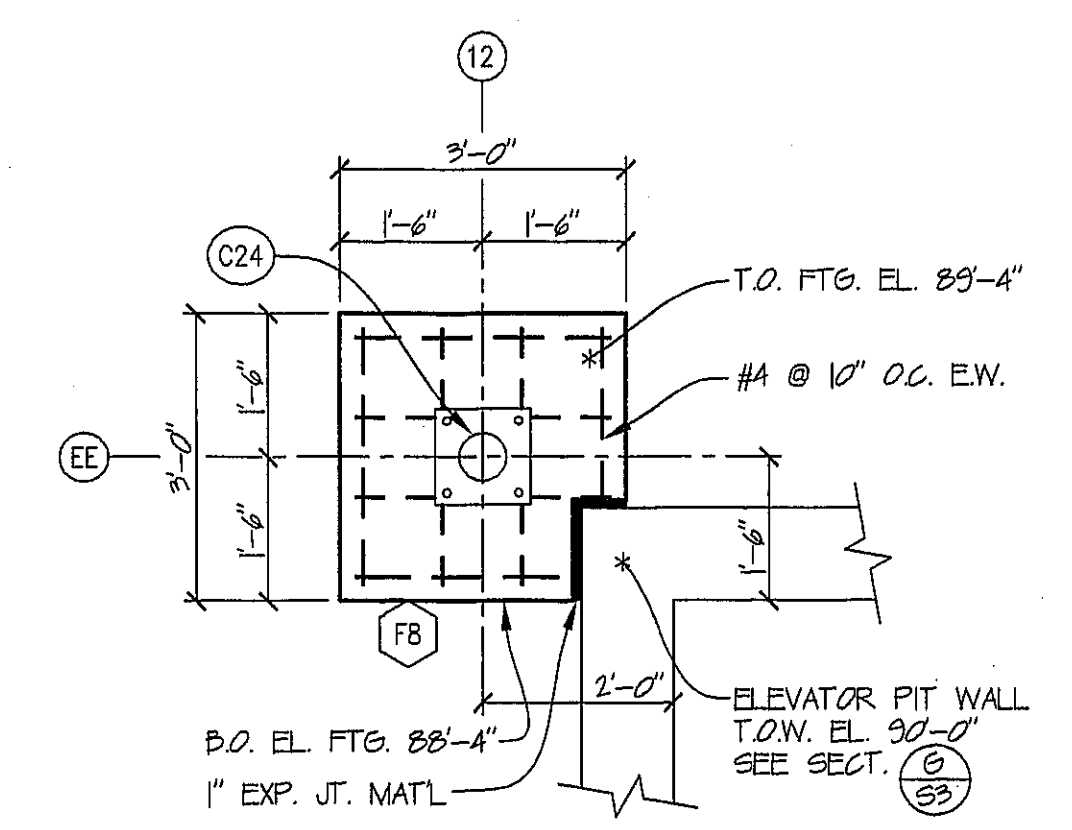
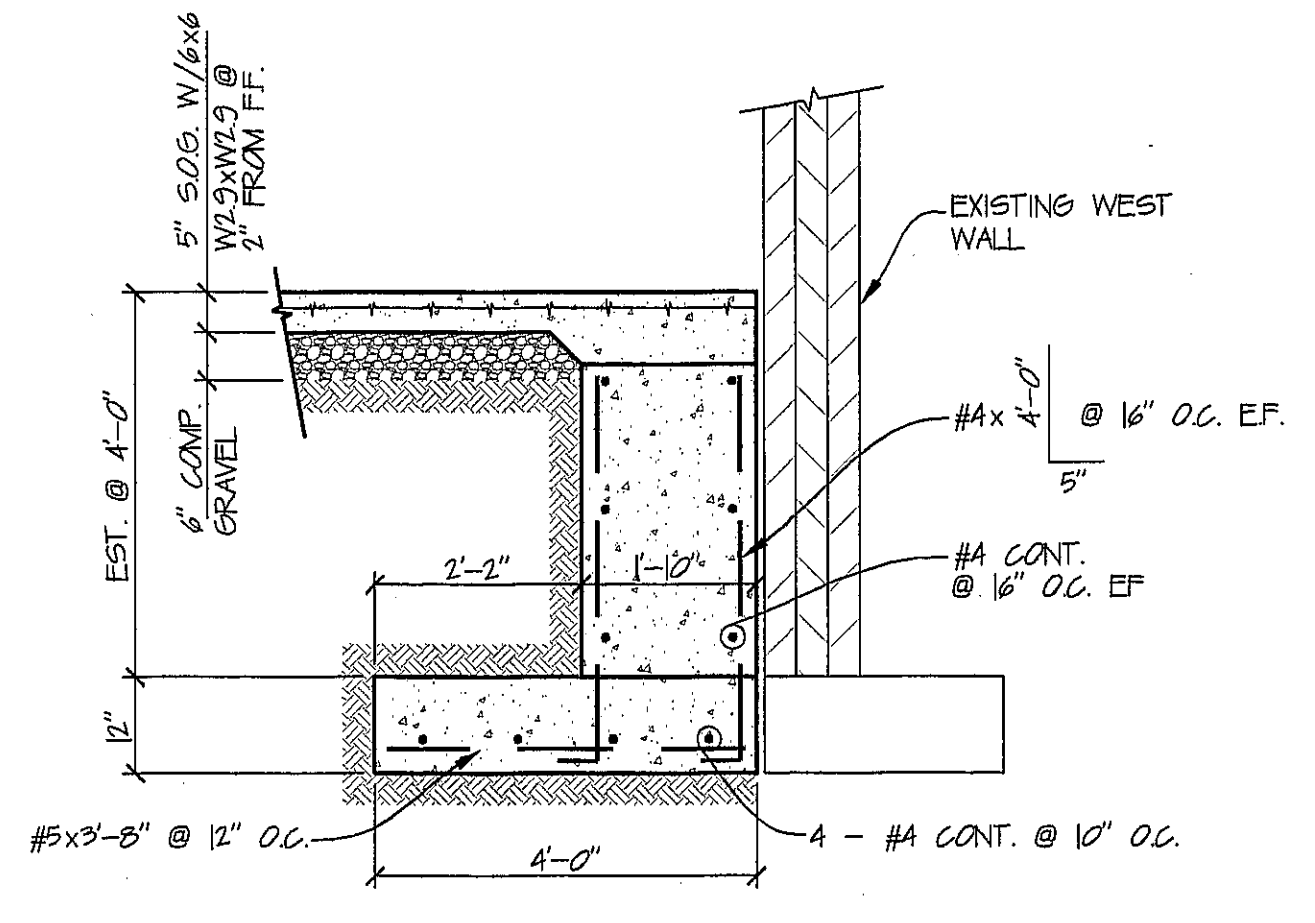


FIG. F8
1/2"=1'-0"



SECTION F16A
1/2"=1'-0"

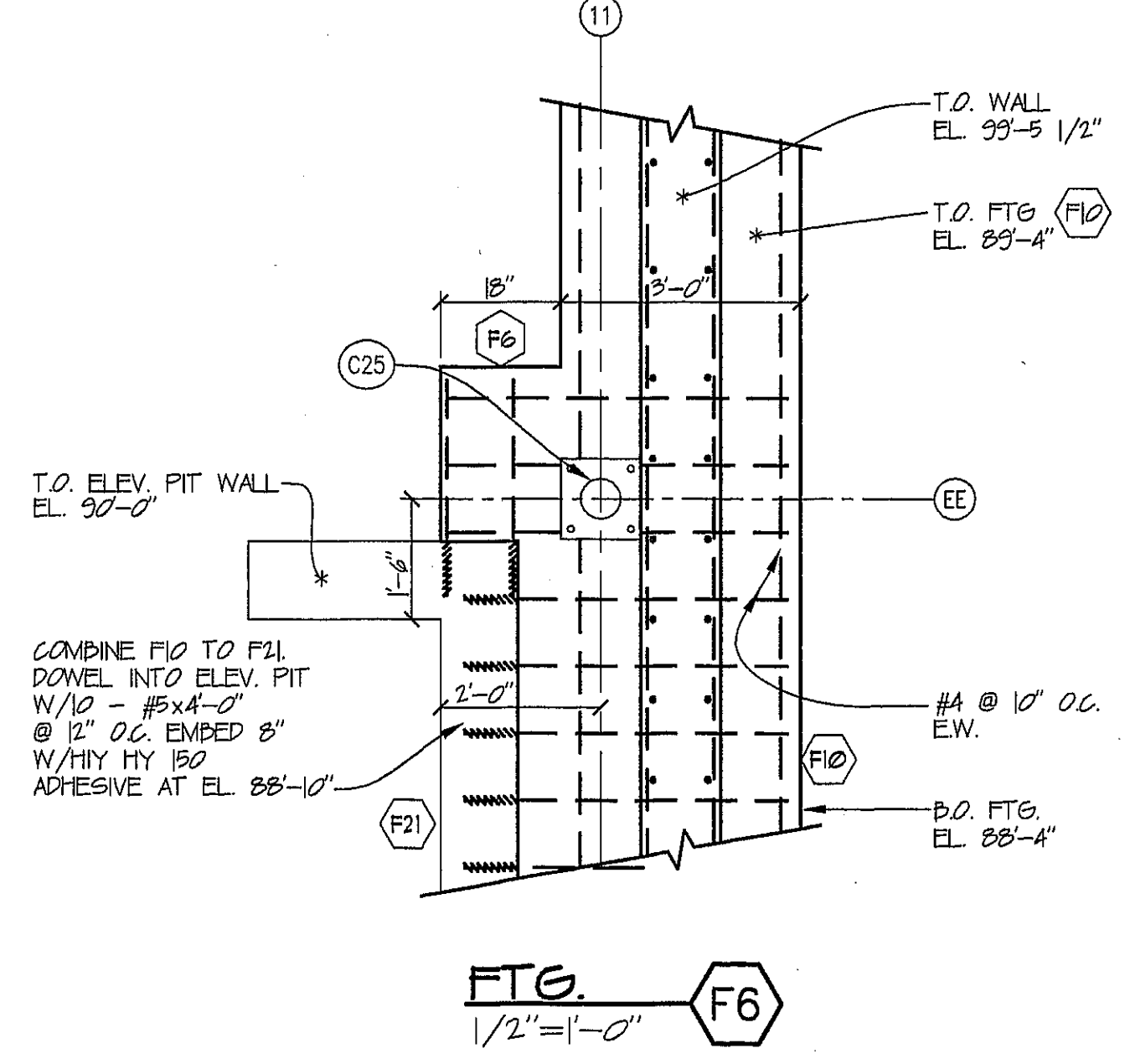
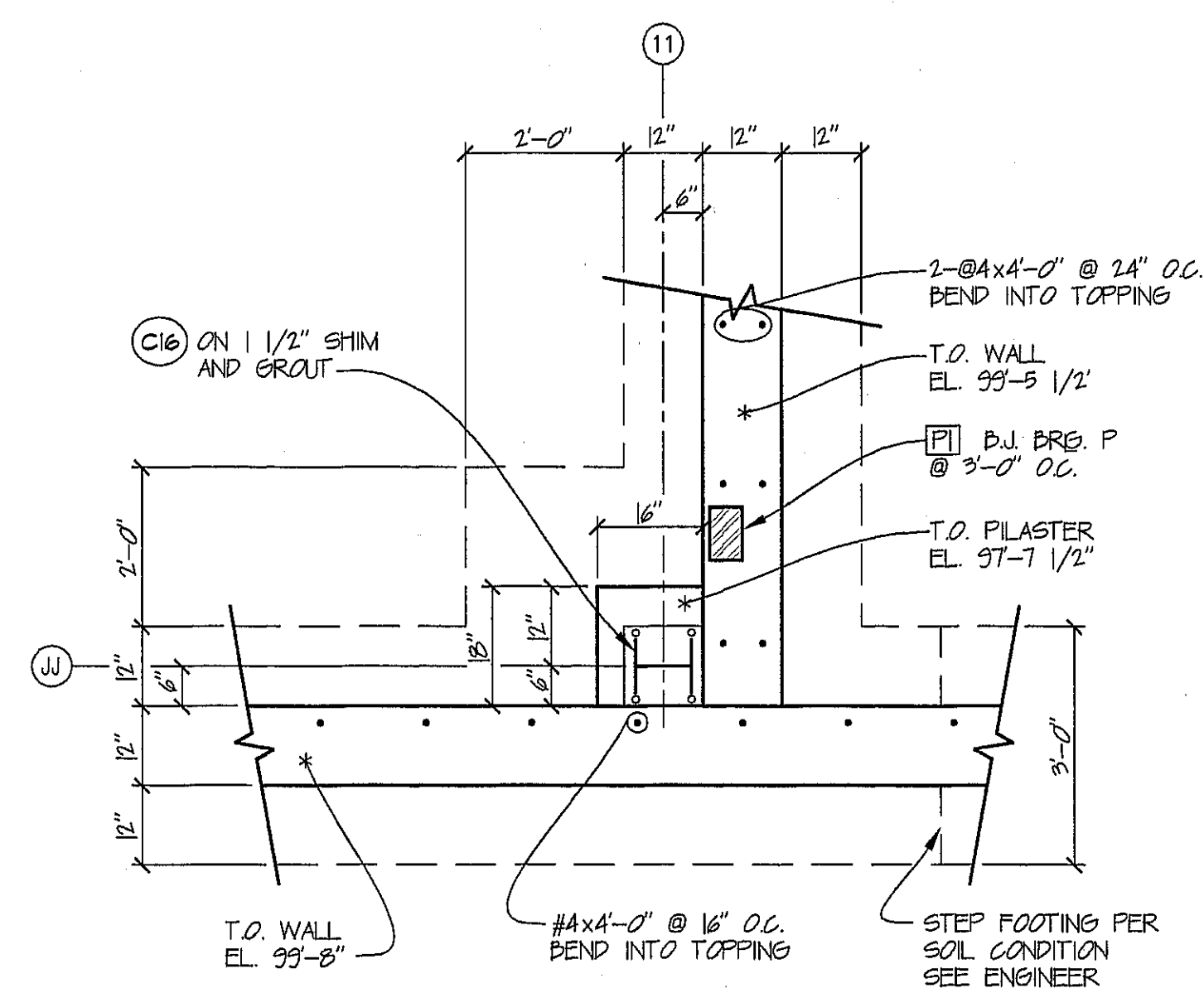
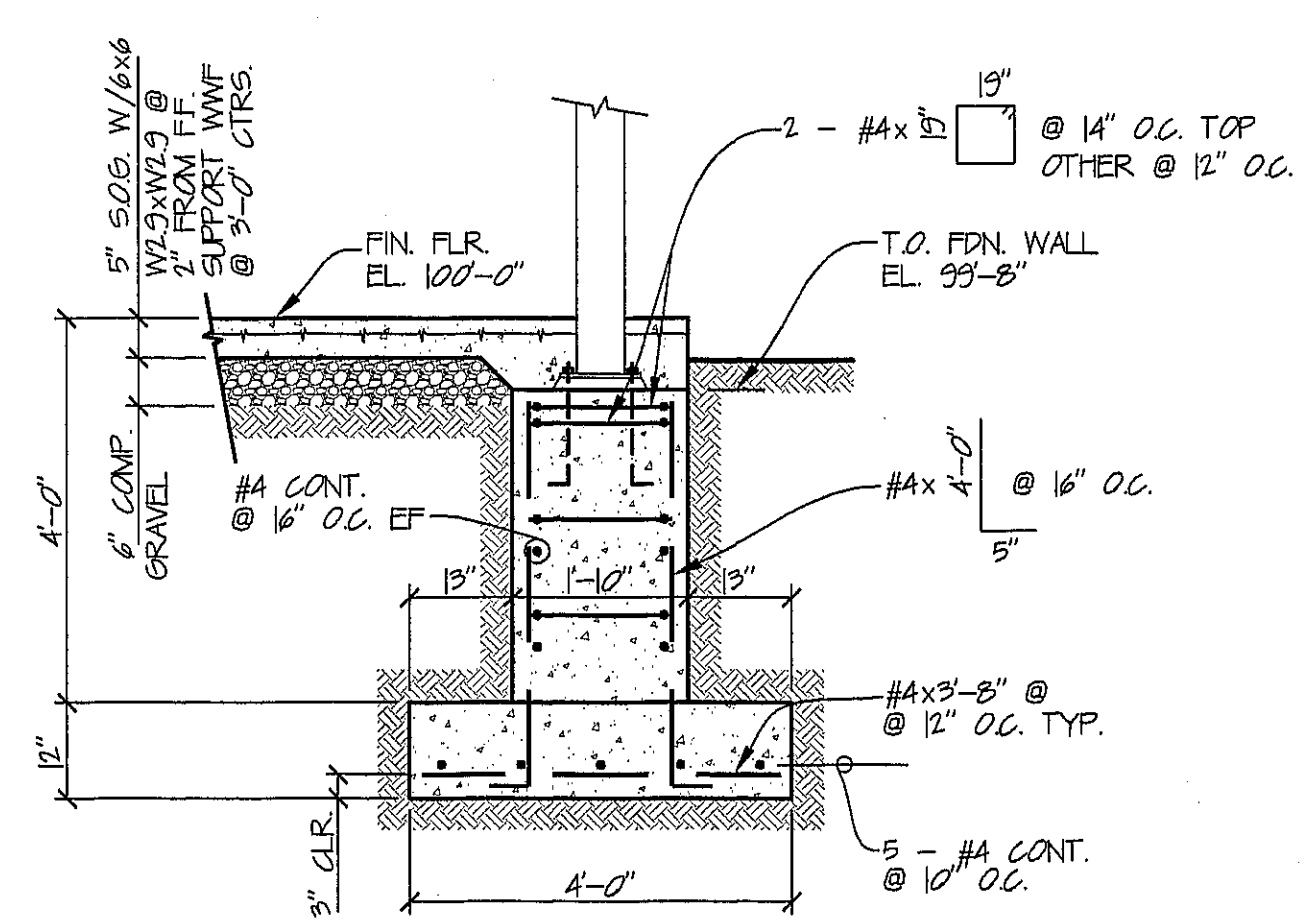


FIG. F6
1/2"=1'-0"



TOP VIEW F11
1/2"=1'-0"



SECTION F16
1/2"=1'-0"

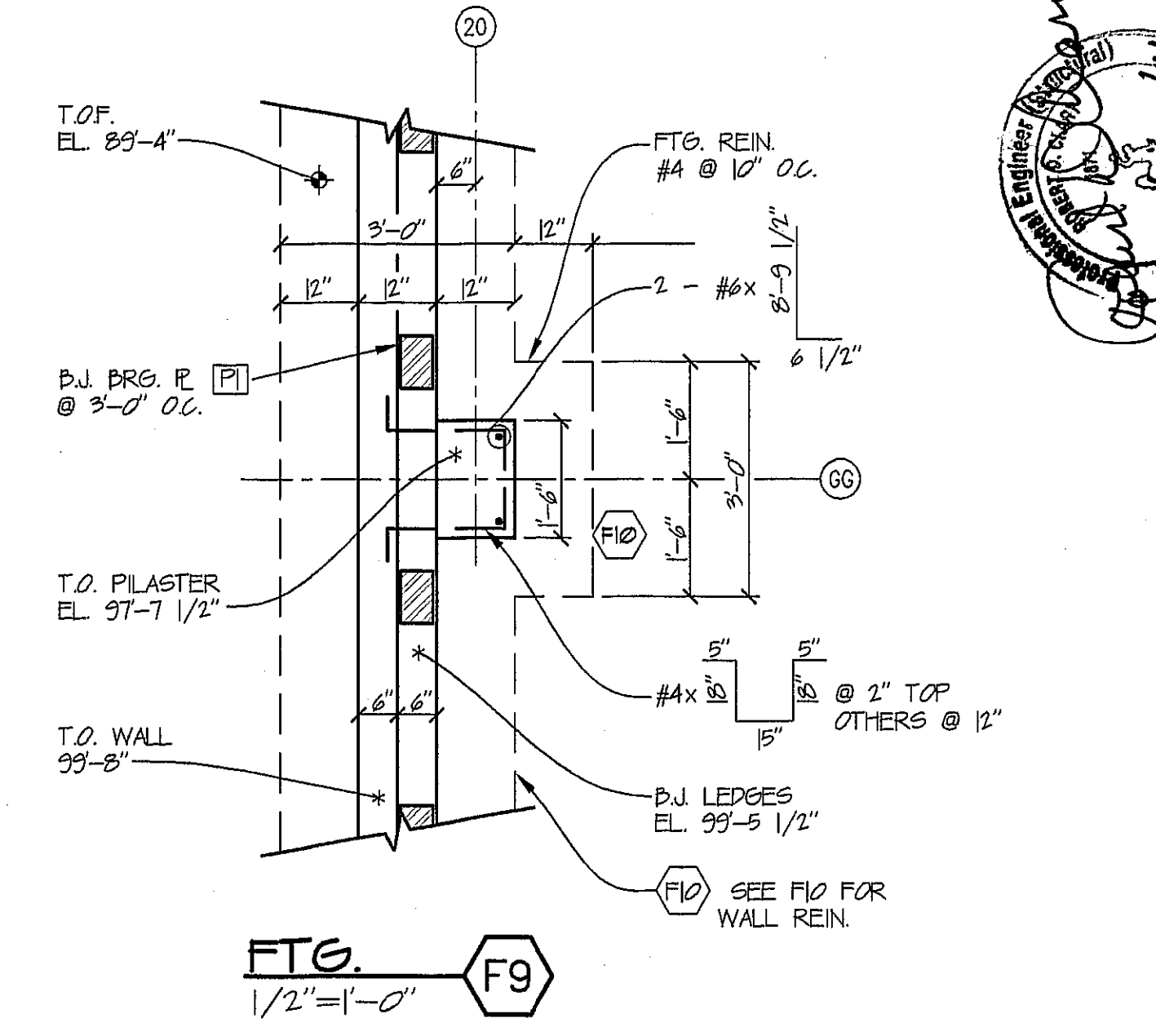
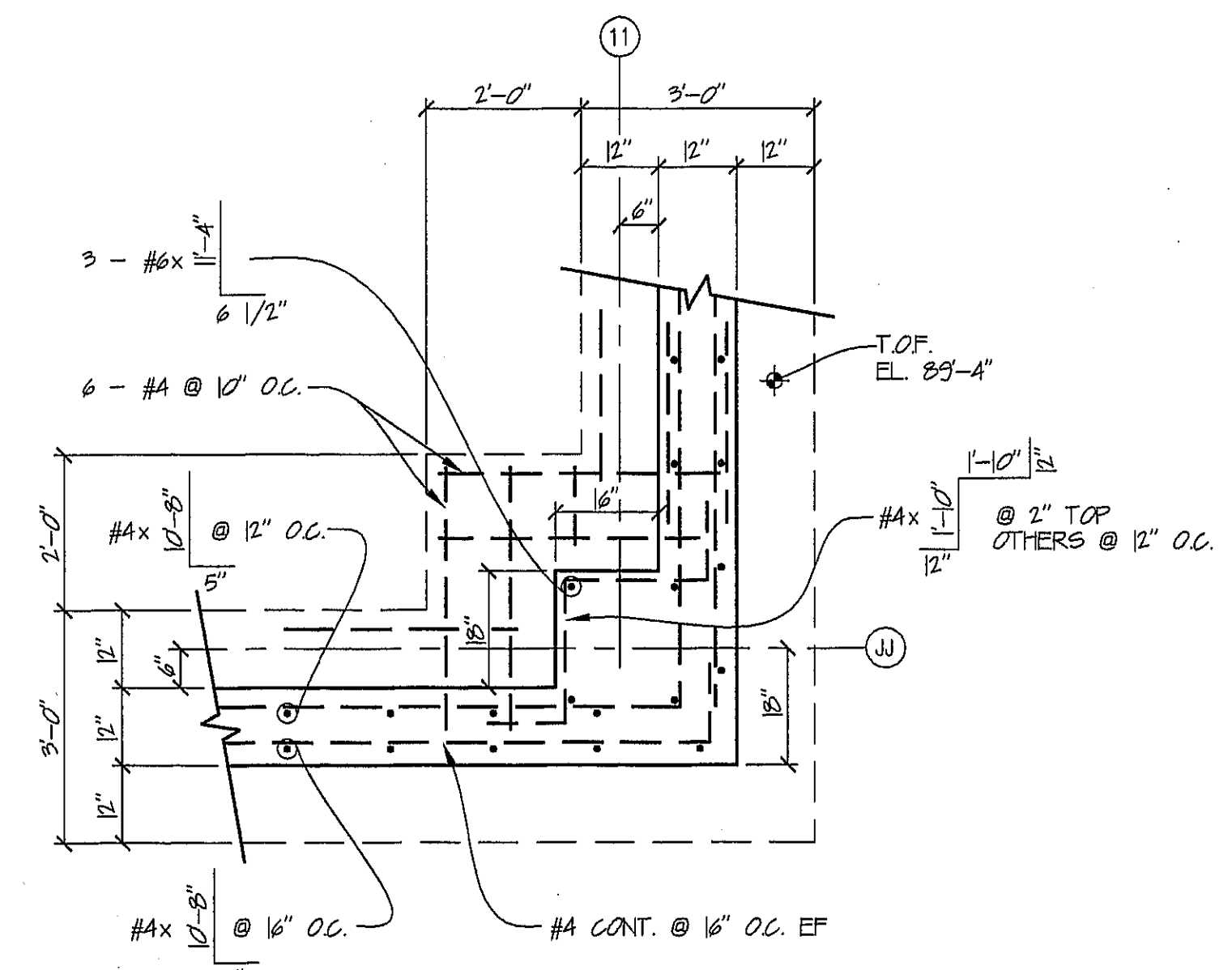


FIG. F9
1/2"=1'-0"



SECTION F11
1/2"=1'-0"

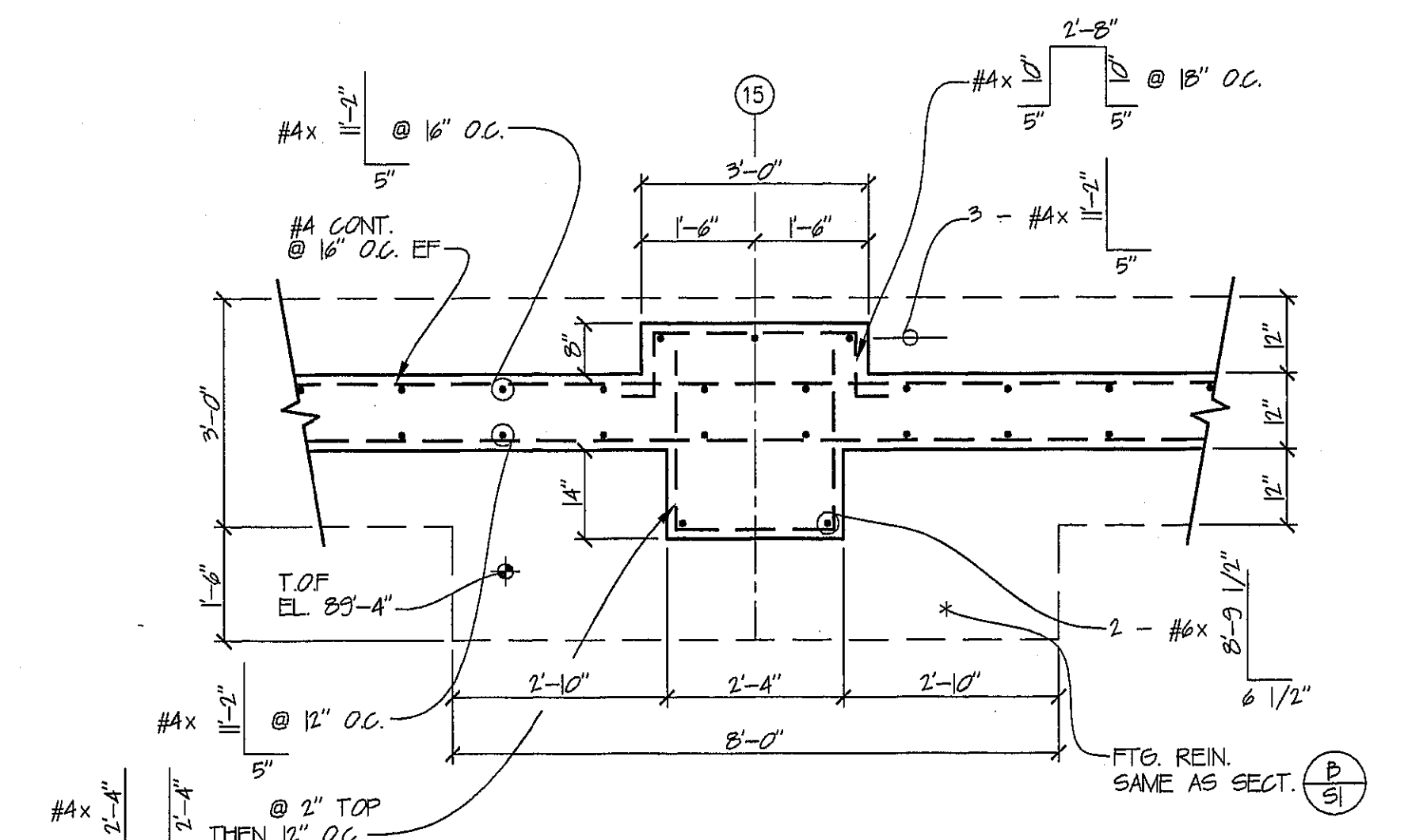
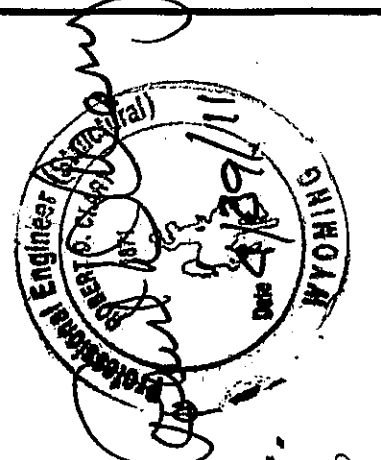


FIG. F17
1/2"=1'-0"



ROBERT D. CLARY P.E. P.C.
825 GOLDEN HILL
CHEYENNE, WYOMING 82009
1-307-657-9273
FAX 1-307-624-6067

DINNEEN BUILDING ADDITION
CHEYENNE, WYOMING

FOUNDATION SECTIONS & DETAILS

210042

4-26-11

S2

APR 27 2011